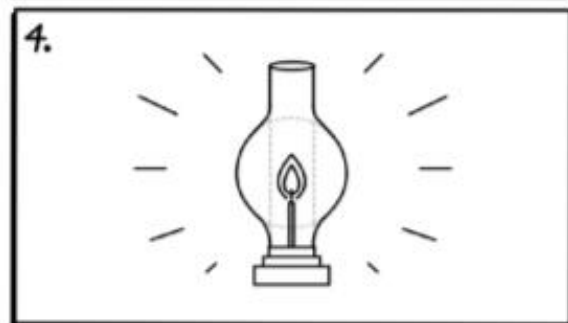
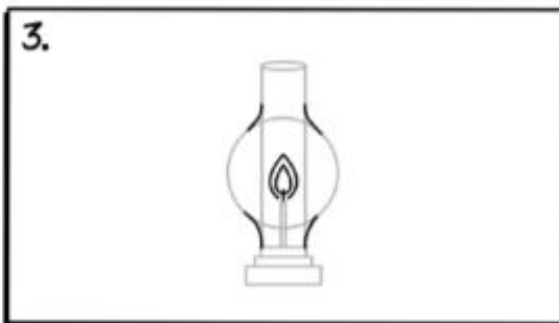
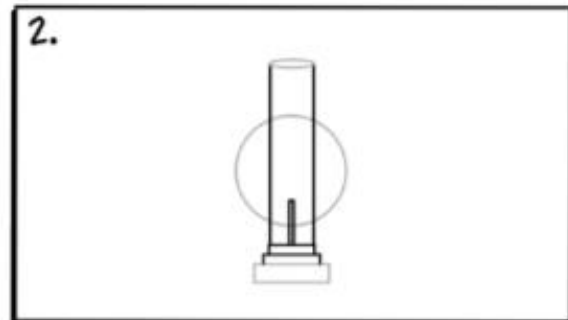
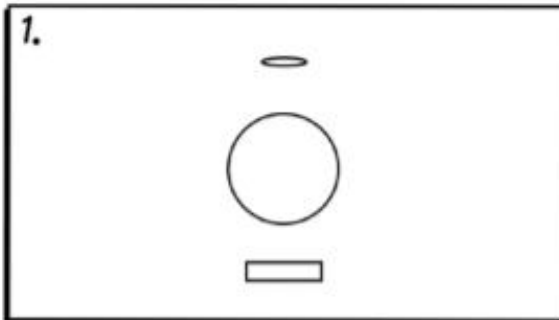


Jesus - I am sayings 'I am the light of the world' '29 Nov 2020

Learn to Draw...

LANTERN

Use a pencil,
Erase LINE after step 4



Jesus said "You are the light of the world." - Matthew 5:14

Now it's Your turn!



JESUS said:



I
am
the
Light
of
the
World.

John 8:12

For our last week, here are all seven of the 'I am ' sayings of Jesus in one puzzle
– can you find them all?

Also, can you spot the mystery name of an Old Testament character?

John 6: 35, 48	I am the bread of life
John 8: 12, 9:5	I am the light of the world
John 10:9	I am the door
John 10:11	I am the good shepherd
John 11:25	I am the resurrection and the life
John 14:6	I am the way , the truth , and the life
John 15:1	I am the true vine

R G T Q R H Z A S L S T
D E A H T T B I H R A K
U L S U G R K F E T D R
M V R U A I N Q P J O O
P T P H R R L V H D O X
U Y A W N R I T E L R Q
L M J O H N E D R R F R
X I D A E R B C D O K N
Y V F R C G Z H T W A I
Q A C E K R J Y P I G G
U V J V E O Z V C J O Z
S E I V K P R E H K B N